



Single-toggle Jaw Crusher EB 09-07



The easy way of crushing

Proven quality – great flexibility – easy operation

thyssenkrupp Jaw Crushers are used for primary crushing. The material is crushed by compressive and shear forces. Flywheels with high moments of inertia are generating a high crushing energy and compensate crusher peak loads. The main feature of the crusher is the enhanced kinematics of the swing jaw with a high stroke in the feed and discharge area which ensures very high throughput rates.

Features

Crushing chamber

- Optimized crushing chamber resulting in reduced wear and long operating life
- Optimum angle of nip for hard and tough materials

Crushing jaws

- Crushing jaws of high-grade manganese-alloyed steel
- Developed crushing plate profiling optimized for all kinds of feed material
- The crushing jaws can freely expand avoiding the transmission of high stresses to other components
- Easy change of the crushing jaws
- Strengthened design of the swing jaw to take up peak loads

Quick change of gap settings

- Hydraulically assisted gap setting

Drive concept

- V-belt drive
- Good accessibility
- Easy maintenance

Monitoring devices

- Proper functioning is monitored by speed and temperature sensors

Housing and base frame

- Reinforced front- and back walls
- Cheek plates made of high-strength special steel

Optional automatic grease lubrication unit

- Lubrication for bearings and labyrinths
- Lubrication system is monitored



Single-toggle Jaw Crusher EB 09-07

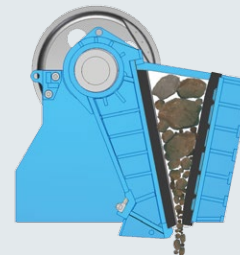
Technical Specification

General data	
Materials:	Granite, basalt, iron ore etc.
Maximum feed size:	0 – 550 mm edge length
Product size:	0 – 130 mm 0 – 250 mm
Capacity:	0 – 130 mm: up to 160 t/h 0 – 250 mm: up to 300 t/h

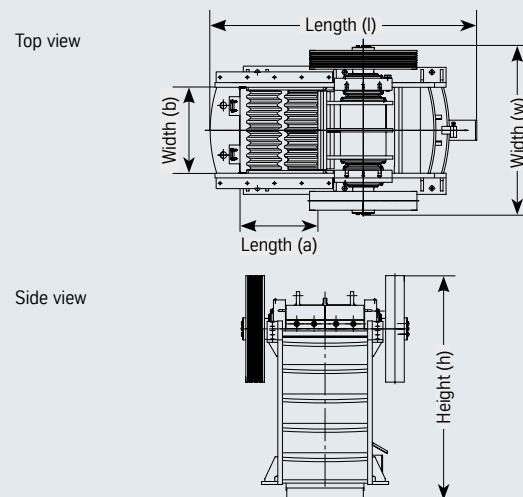
Crusher	
Type of Jaw Crusher:	Single-toggle
Feed opening dimensions (a x b):	700 mm x 900 mm
Gap setting:	50 – 175 mm
Method of gap setting:	mechanical, hydraulically assisted
Weight flywheel:	1.4 mt
Main dimensions (l x w x h):	3,300 mm x 2,140 mm x 2,840 mm
Total weight:	up to 16 mt

Drive	
Drive concept:	V-belt
Motor power:	up to 90 kW

Crushing principle



Main dimensions



Contact

thyssenkrupp Industrial Solutions AG
Resource Technologies

Graf-Galen-Straße 17
59269 Beckum, Germany
Phone: +49 2525 99-0
E-mail: smb.tkis-rt@thyssenkrupp.com
www.thyssenkrupp-industrial-solutions.com

Sales representative

© 2016 Product specifications and prices are subject to change without notice or obligation. The photographs and/or drawings in this document are for illustration purposes only. The operation values are considered to be approximate and will be finally determined on the basis of the specific task and the material characteristics. The only warranty applicable to our equipment is the standard written warranty applicable to the particular product and sale and thyssenkrupp makes no other warranty of accuracy, reliability, completeness, merchantability or fitness for any purpose, express or implied. Products and services listed may be trademarks, service marks or trade-names of thyssenkrupp and/or its subsidiaries in Germany and other countries. All rights are reserved.