

# POLYCOM<sup>®</sup> Expert Service

Extends the service life of POLYCOM<sup>®</sup> high-pressure grinding rolls



thyssenkrupp

Regular maintenance and inspections by our POLYCOM<sup>®</sup> experts ensure the consistent and reliable performance, as well as an extended service life of the POLYCOM<sup>®</sup> roll units. Our experts record the exact status of your POLYCOM<sup>®</sup> and recommend specific measures to optimize the operating conditions

Our POLYCOM<sup>®</sup> Expert Service is ideally suited to maintenance and servicing of the rolls. The feed material pull-in capability, the formation of autogenous wear protection and the smooth running of the overall POLYCOM<sup>®</sup> unit are all largely dependent on expert maintenance of the roll bodies and their profiling.

The right profile care is therefore always our priority when servicing the machine. In this way high availability and economical continuous operation can be ensured.

Optionally, we inspect your entire POLYCOM<sup>®</sup> and advise you on optimizations.

## Service POLYCOM<sup>®</sup> roll units

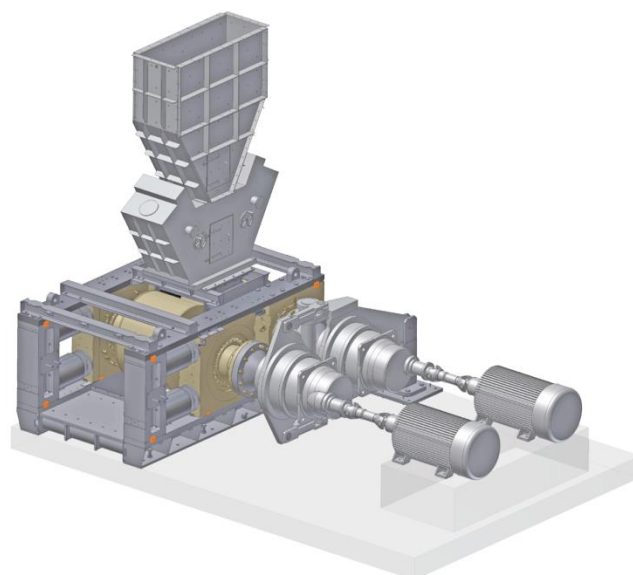
- Wear measurement and check of the wear profile of the roll bodies
- Surface care: mechanical re-profiling, manual intermediate profiling, repair of local damage, optimization of the edge zones by grinding and repair of the wear surfaces by removal and re-welding of the hardfacing/profiling
- Theoretical and practical training of plant personnel with regard to wear measurement and profile maintenance

## Service POLYCOM<sup>®</sup> inspection

- Condition examination of further mechanical main components (base frame, hydraulic system, drive etc.), as well as mechanical and process-technological basic settings (gap between the rolls, feed material guide, pressures etc.)
- Wear measurement and check of the wear profile of the roll bodies
- Status report with recommendations on optimal operating conditions and set of measures

## Service advantages

- Inspection by thyssenkrupp experts
- Detailed condition recording
- Early detection of damage
- Training of employees
- Avoidance of loss of production
- Optimized material throughput rates
- Longer service life of the POLYCOM<sup>®</sup> roll units



POLYCOM<sup>®</sup> high-pressure grinding roll

## Contatos:

+55 31 3649-5100  
thyssenkrupp Industrial Solutions  
Centro de Serviços Santa Luzia (MG)  
service.br@thyssenkrupp.com

+55 94 3352-7000  
thyssenkrupp Industrial Solutions  
Centro de Serviços Carajás (PA)  
service.br@thyssenkrupp.com



Field & workshop  
services

engineering.tomorrow.together.

# 360° Service

Service solutions throughout the entire life cycle of your plant



thyssenkrupp



## Parts & supply management

We are the experts when it comes to the supply with spare and wear parts for your plant – over the entire lifetime, at the right time and with the right quality.

### Spare parts supply

- All spare parts and components for your asset in OEM quality
- Always state of the art technology with guaranteed functionality
- Attractive frame contracts and supply agreements

### Wear parts solutions

- Development of wear parts according to your requirements
- Individual solutions in regards of quality and performance
- Innovative wear parts concepts

### Advanced parts solutions

- Engineering and manufacturing of individual spare parts
- Continuous further development of spare parts and components in order to increase the performance of your plant
- Spare and wear parts for plants genuinely not developed by thyssenkrupp



## Field & workshop services

We offer you local assistance when it comes to overhauling spare and wear parts, or when maintenance and servicing is needed.

### Technical inspections

- Forward-looking inspections of machines and components

### Repairs and field support

- Fulltime site support and advice after handover of equipment
- Fault identification and emergency repair of components
- Installation and dismantling
- Equipment adjustments and alignments

### Workshop services

- Local fabrication of spare parts
- Refurbishment and supply of thyssenkrupp and third party components

### Operator & maintenance training courses

- Customer training for all areas of thyssenkrupp portfolio
- Utilization of product experts within thyssenkrupp's global network



## Revamps & outages

Over the course of time, demands change. In order to meet these changed demands, we offer you custom-tailored revamp solutions.

### Analysis, engineering and manufacturing

- Plant status and environmental analysis and assessment
- Feasibility studies
- Basic, front-end and detail engineering
- Manufacturing of individual equipment

### Plant improvements

- Custom-tailored revamps and retrofitting solutions
- Debottlenecking through capacity extensions
- Efficiency enhancement through modernization and upgrades
- Emission reduction
- Safety and integrity upgrades
- Reliability improvement

### Revamps execution up to EPC

- Execution of complex revamp and outage projects
- Execution of EPC revamps projects
- Custom-tailored risk and profit sharing models

### Turnaround management

- Management of plant turnarounds



## Asset management

We offer you a holistic asset management approach in order to reduce the overall operating expenses of your plant.

### Consulting & audits

- Evaluation and assessment of effectiveness and efficiency
- Process mapping and gap analysis
- Derivation and supervision of improvement measures

### Technical guidance

- Implementation of improvement measures
- Technical improvement of existing machines and components
- Strategic analysis and future planning
- Improvement of processes and procedures

### Operation & maintenance contracts

- Complete or partial take-over of maintenance and/or operations activities
- One-stop operation and maintenance solutions including parts and consumables
- Custom-tailored business models focusing on a win-win situation

engineering. tomorrow. together.